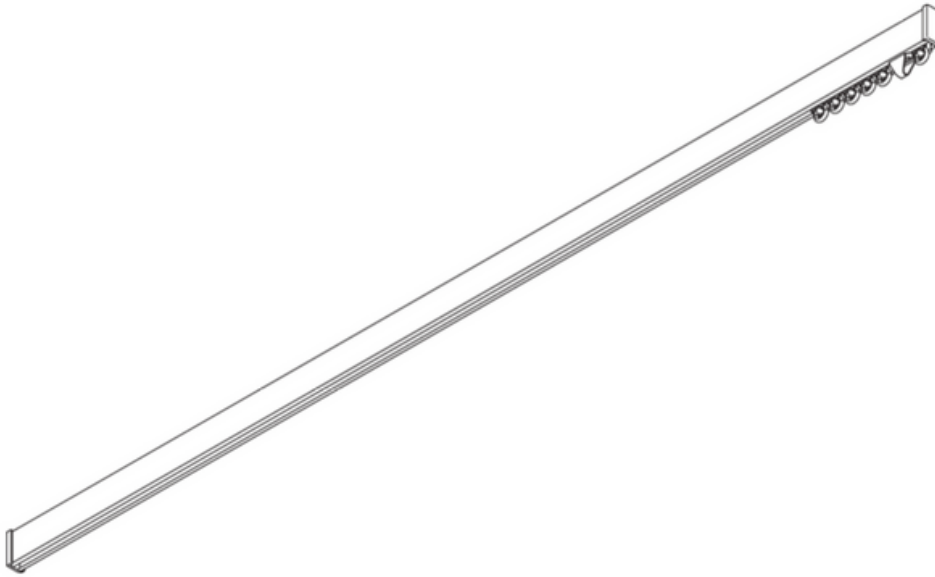
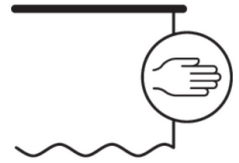


SG 1080



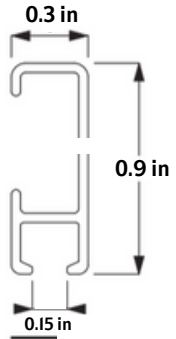
PRODUCT INFORMATION

- **Operation:** hand
- **Range:** S
- **Fitting:** recess
- **Colours:** white RAL 9016; special colours or anodised aluminum possible

SYSTEM SPECIFICATIONS

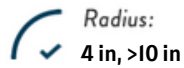
A. PROFILE

Profile and bending information

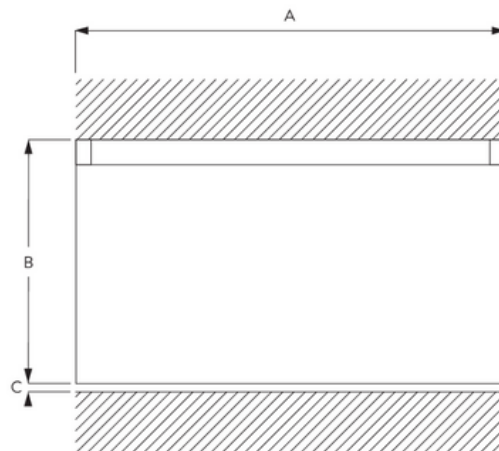


SG 1080p

Profile



B. HOW TO MEASURE



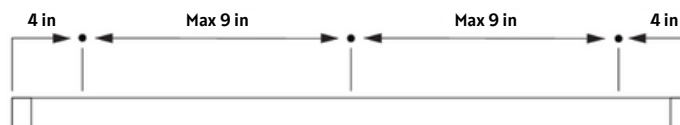
A: System width
B: System height
C: Distance between floor and fabric

FITTING

A. FITTING INFORMATION

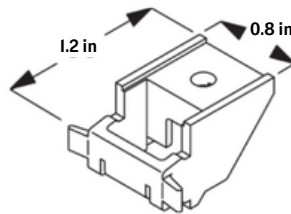
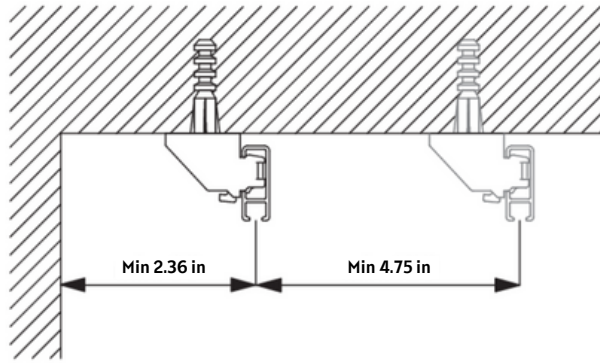
For detailed fitting information, visit the [Silent Gliss website](#).

Fixing points



B. CEILING FITTING

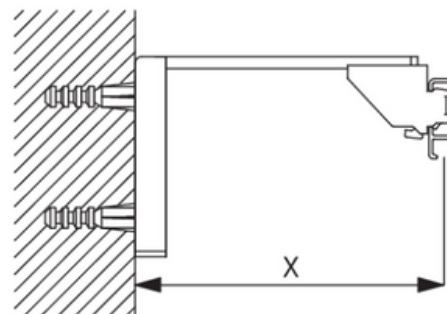
Bracket SG 3603



SG 3603

C. WALL FITTING

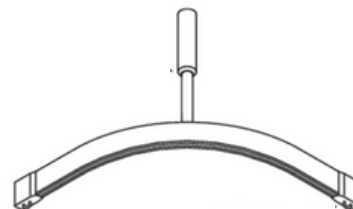
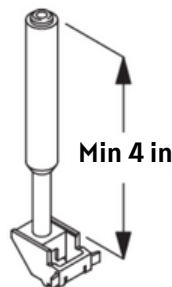
Smart Fix



- 3I34 X = 2.8 in
- 3I35 X = 4 in
- 3I36 X = 4.4 in
- 3I37 X = 5.15 in
- 3I38 X = 6.33 in
- 3I39 X = 8.33 in

D. SUSPENDED FITTING

Hanger SG 3639



SG 3639

Hanger

Silent Gliss Inc
PO Box 592
New York NY 10150

Info@silentglissamerica.com
www.silentglissamerica.com